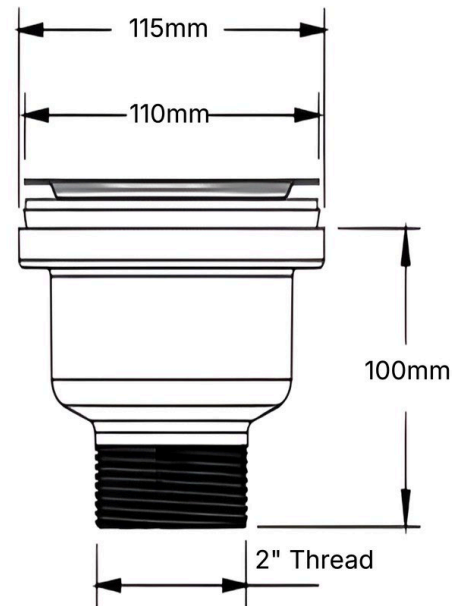


Model No: MGS-502 Sink Strainer

Specification Sheet

PRODUCT SPECIFICATIONS

Product:	Sink Strainer
Outlet:	2"
Special Features:	<ul style="list-style-type: none">• SUS 304 Construction• Fits Standard 90mm Drain Opening• Open/Close Stopper Prevents Debris from Clogging Drain Pipe
Height:	100mm
Diameter:	112mm
Available Finish:	Stainless Steel
Included Accessories:	Reducer 50x32mm



Note:

- Manual measurement of various sizes has a certain error. Please refer to the actual product!
- The product may be slightly different from the picture due to the display of lights and displays.

For Warranty information and terms and conditions about this product, please [click here](#) or visit www.morzze.com